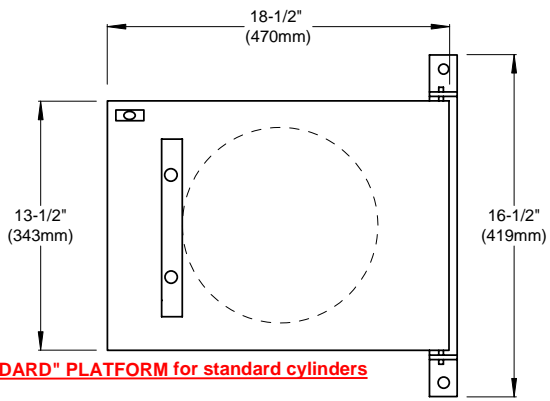
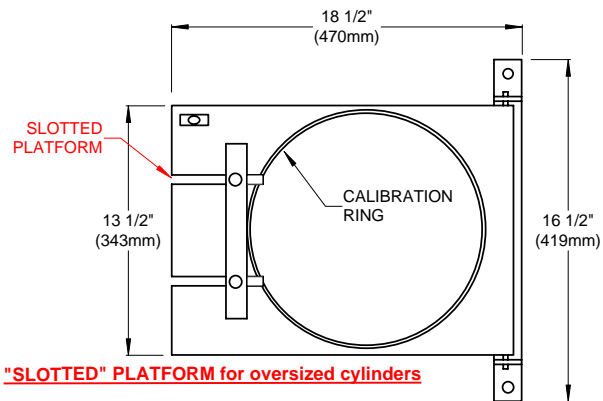


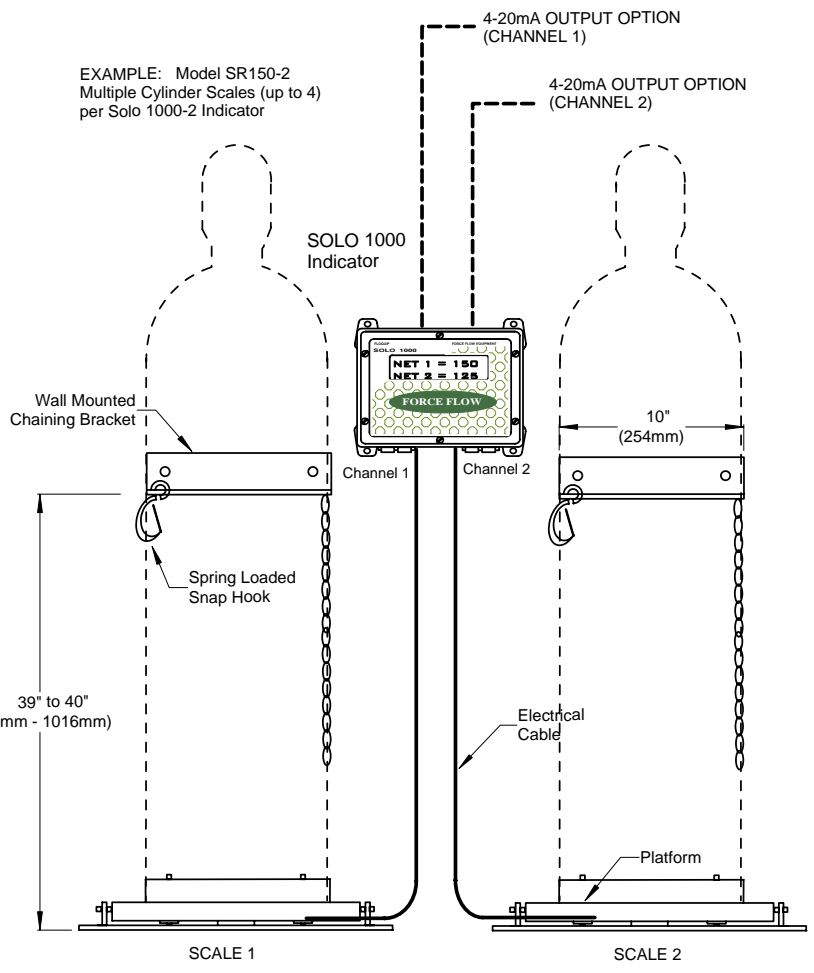
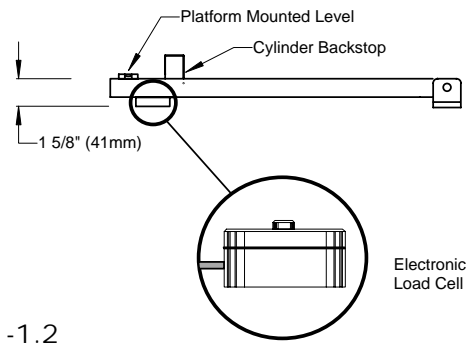
STANDARD	CANADA	INTERNATIONAL
MODEL NO:	METRIC NO:	METRIC:
SR150-2	SR68K-2	SR100K-2
2-Cylinder Scale with Solo 1000-2 (2-Ch) Indicator		
(with SOLO 1000-2 Indicator (4-20mA Output per Channel included))		



"STANDARD" PLATFORM for standard cylinders



"SLOTTED" PLATFORM for oversized cylinders



EXAMPLE: Model SR150-2
Multiple Cylinder Scales (up to 4)
per Solo 1000-2 Indicator

S.1.101-1.2



1150-D Burnett Ave, Concord, CA 94520 USA
1-800-893-6723 US & Canada, Fax: 925-686-6713
www.forceflow.com / info@forceflow.com

**ELECTRONIC CHLOR-SCALE 150
WITH SOLO 1000-2 DUAL CHANNEL INDICATOR
FOR 150# CYLINDERS**

Drawn by: SLP
Date: 01/02/94
Revised: 04/09/01
Scale: NONE

Drawing Number
30330