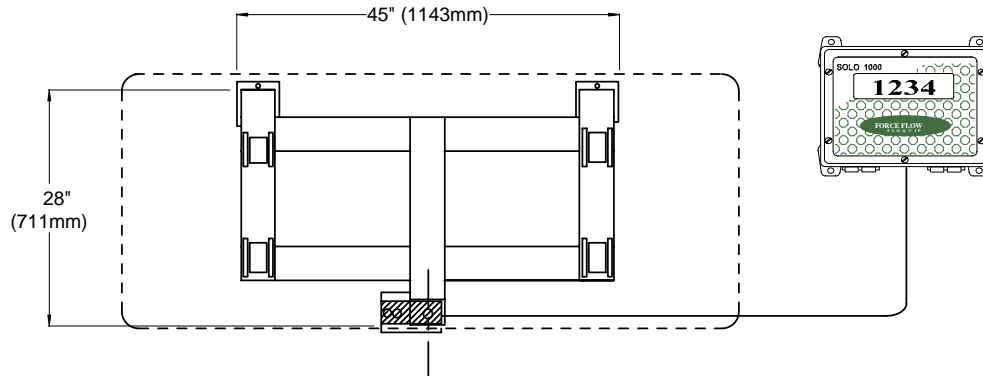


MODEL NUMBERS (for Frame & Load Cell)

DR40 (4000 lbs)
DR20K (2000 kgs)

MODEL NUMBER (for SOLO 1000 Indicator)

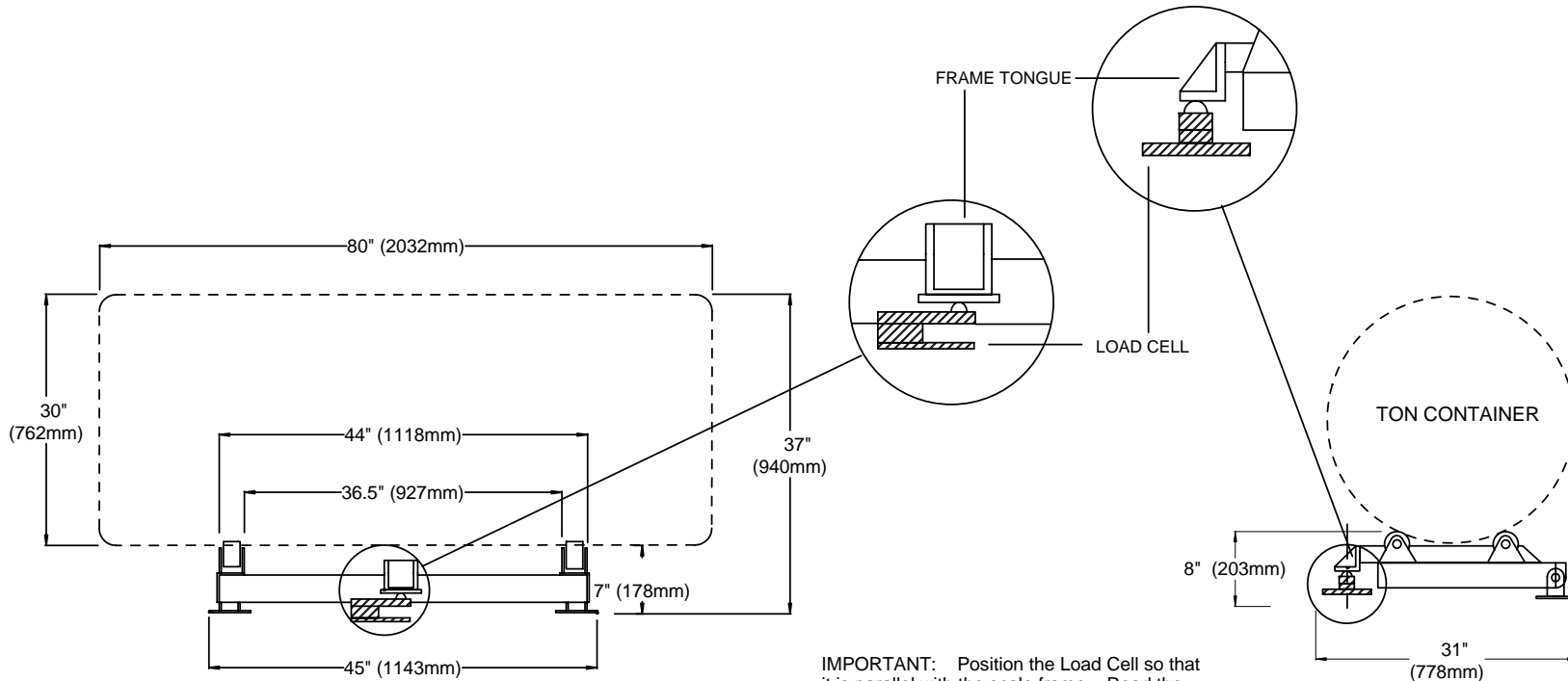
SR000-1 1-Channel
SR000-2 2-Channel



_____ Model Number of Indicator (Lbs or Kgs _____)

_____ Model Number of Scale Frame

_____ Feet of Cable per Scale (20' Std)



IMPORTANT: Position the Load Cell so that it is parallel with the scale frame. Read the "Installation" section carefully for proper placement of the frame.

S.1.101



1150-D Burnett Ave, Concord, CA 94520 USA
1-800-893-6723 US & Canada, Fax: 925-686-6713
www.forceflow.com / info@forceflow.com

**ELECTRONIC SINGLE TANK SCALE
CHLOR-SCALE with SOLO 1000 INDICATOR
(4000 lb. or 2000 kg. Capacity)**

Drawn by: SLP
Date: 09/01/95
Revised:
Scale: NONE

Drawing Number
30281