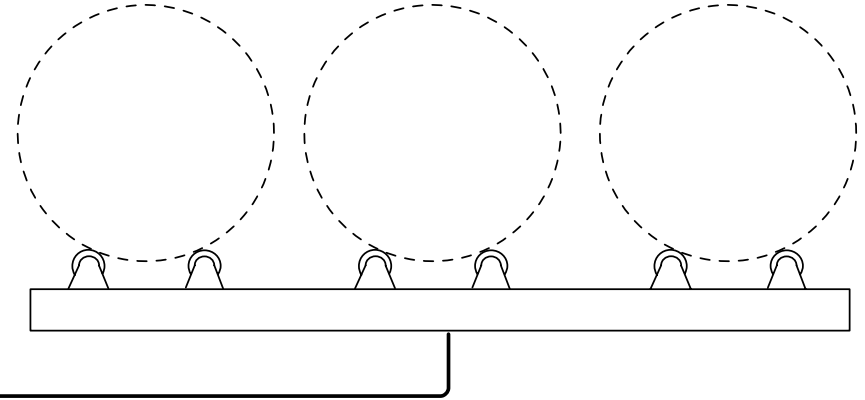
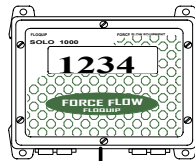
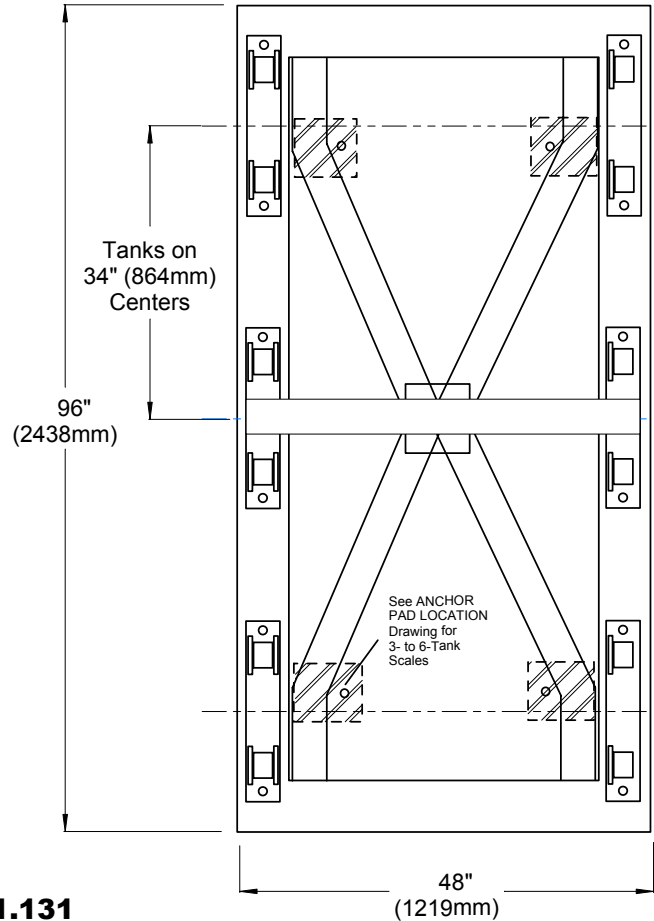


WEIGHT: 730 lbs/331 kgs
(palletized for shipment)

NOTE: Use 1/2" x 1-1/2" (13 x 38mm) Anchor Bolts

RECOMMENDATION: 12" (305mm) minimum pad be used for each foot. DO NOT PREPOUR ANCHOR BOLTS. Use frame as template.

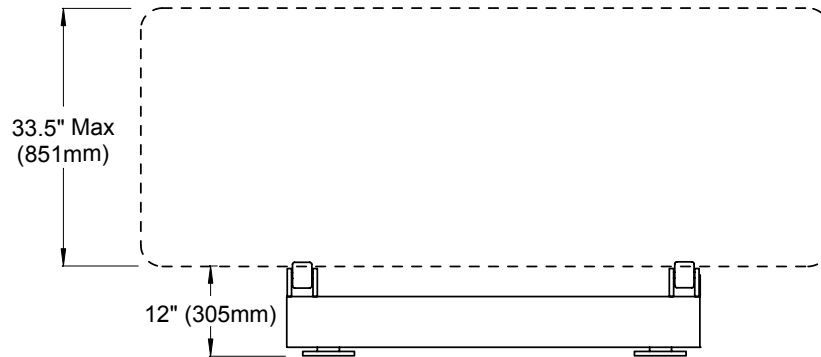


_____ Model Number of Indicator (Lbs. or Kgs. _____)

_____ Model Number of Frames

_____ Feet of Cable (20'/6M Std)

MODEL NUMBERS (for Frame & Load Cell)	
DR120	(12,000 lbs)
DR60K	(6,000 kgs)
MODEL NUMBER (for SOLO 1000 Indicator)	
SR000-1	1-Channel
SR000-2	2-Channel



S.1.131



1150-D Burnett Ave, Concord, CA 94520 USA
1-800-893-6723 US & Canada, Fax: 925-686-6713
www.forceflow.com / info@forceflow.com

File: T4\IO&M\TONELEC\SOLO3TNK.tcw (S13.pdf) (WEB: TON3SOLO.pdf)

**ELECTRONIC 3-TANK SCALE
CHLOR-SCALE with SOLO 1000 INDICATOR
(12,000 lb. or 6,000 kg. Capacity)**

Drawn by: SLP
Date: 09/01/95
Revised: 05/09/02
Scale: None

Drawing Number
30283