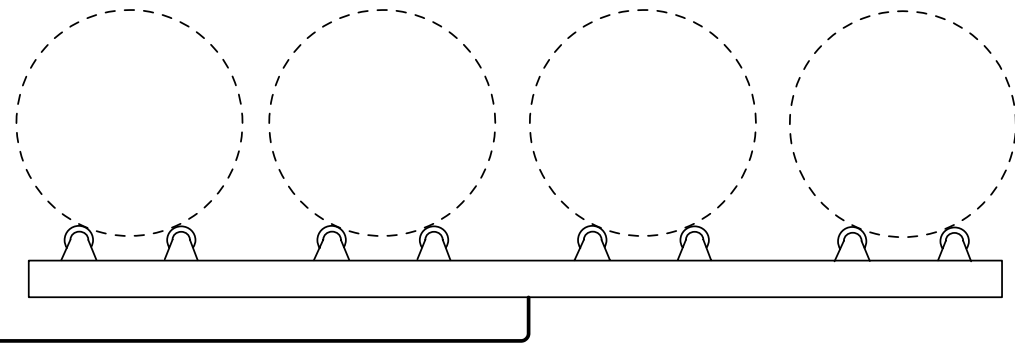
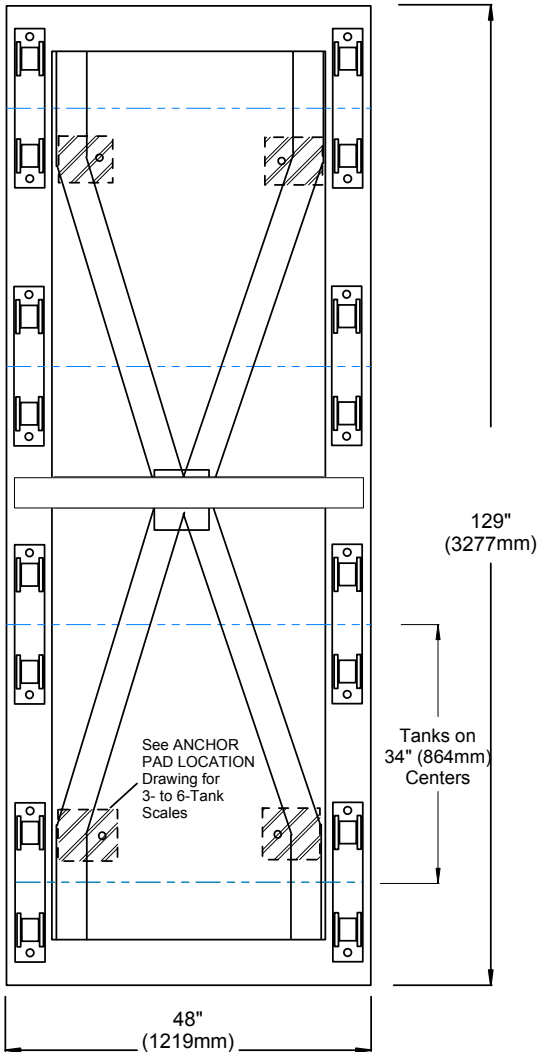
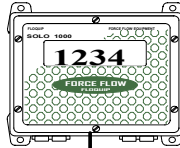


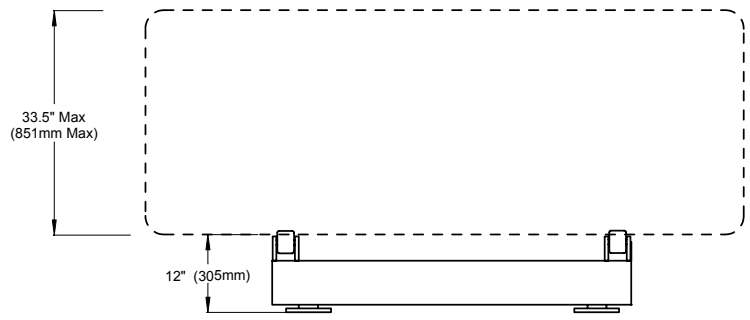
NOTE: Use 1/2" x 1-1/2" (13mm x 38mm) Anchor Bolts

RECOMMENDATION: 12" (305mm) minimum pad be used for each foot. DO NOT PREPOUR ANCHOR BOLTS. Use frame as template to avoid binding.



_____ Model Number of Indicator (Lbs. or Kgs _____)
 _____ Model Number of Frame
 _____ Feet of Cable (20'/6M Std)

MODEL NUMBERS (for Frame & Load Cell)	
DR160	(16,000 lbs)
DR80K	(8,000 kgs)
MODEL NUMBER (for SOLO 1000 Indicator)	
SR000-1	1-Channel
SR000-2	2-Channel



S.1.132

WEIGHT: 1,050 lbs/476 kgs
(palletized for shipment)



1150-D Burnett Ave, Concord, CA 94520 USA
 1-800-893-6723 US & Canada, Fax: 925-686-6713
 www.forceflow.com / info@forceflow.com

ELECTRONIC 4-TANK SCALE
CHLOR-SCALE with SOLO 1000 INDICATOR
(16,000 lb. or 8,000 kg. Capacity)

Drawn by: SLP
 Date: 09/13/00
 Revised: 05/09/02
 Scale: NONE

Drawing Number
30282